

# Bagging Equipment

## GB32 Scale Bagger

### Description

GB Baggers weigh all free-flowing, non-dust materials into paper, cloth polywoven, or plastic bags with guaranteed accuracies within four ounces. Handling weightments between 20-110 pounds, they average 4-6 bags per minutes. The GB baggers have a minimum number of moving parts for maximum efficiency and lower maintenance. They are delivered pre-calibrated for your particular product and ready for immediate installation and use.

### Features

The 5 to 1 calibrated beam produces accuracy of +/- 4 oz. The scale provides tare weight function to zero out empty bag weight. Included with the scale is a full set of weights for weigh ranges from 20 lb to 115 lb. Other features include: adjustable flow control, quick release cam grip bag holders, and trigger trip screw for easy weight adjustment. Belt feeders, auger feeders, or box filling attachments can be added. The scale is available in mild steel construction, stainless contact plate, or all-stainless steel construction. Standard spout sizes are 17", 25", or 32" circumference.

### Operation

Operator sets target weight by placing counter balance weights on weight rod. Place empty bag on spout and zero out using tare weight provided. Pull handle down which opens internal gate allowing product to fall through the scale into the bag. When desired weight is reached, gate will automatically close stopping product flow. Check actual weight on balance indicator, release bag, and repeat the process.



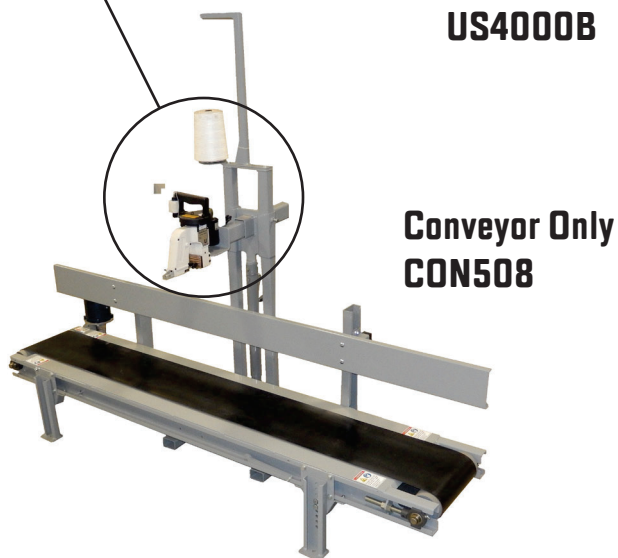
## 500 Series Bag Closing Conveyors

### Features

- [1] AC variable speed drive (25-80 FPM)
- [2] 4-way adjustable back rail
- [3] 2 ply black PVC belt
- [4] 4" diameter crowned head and tail pulleys
- [5] Belt height of 10" to 17.5"
- [6] 110V 1PH, 220V 1Ph, or 230 3PH operation
- [7] Shaft mounted drive

eliminates need of tensioning or lube  
eliminates load on chain, shaft, and bearings  
compact size reduces space requirements  
quiet, low maintenance drive at low cost

## Union Special Portable Sewing Machine US4000B



## Conveyor Only CON508